

PTC-360

SEWER DEPOT INC.

PTC-360 Pan and Tilt Camera

Do you want to take a little peek?

Smaller in size than its major competitors and with one of the most light-sensitive lenses in the industry, the PTC-360 Pan and Tilt camera will allow you to look into the smallest and darkest places.

The PTC-360 is not only small and a good photographer, it is also fast and agile. Where most cameras require the operator to manually direct their every move, the PTC-360 is pre-programmed to conduct the most common scans at the press of a button. Want to see what lies at three-o'clock? Press a button and the camera automatically rotates to that position. Want to conduct an automatic joint scan? Press a button, sit back and watch.



Automatically position the camera at 12, 3, 9, 10:30 and 1:30 positions with just a press of a button from the joystick controller.



Why take two steps when you can get there in one?

Where most cameras require you to pan and rotate separately, the PTC-360 does these operations simultaneously. Want to see what lies at 45 degrees? Move the joystick at that angle and the camera moves in that direction.



PTC-360 Pan and Tilt Illustrated with Brutus Crawler not Included.

PTC-360

PAN & TILT CAMERA Specifications

Dimensions:

Body Diameter: 2.75"
Total Length: 17"
Head Diameter: 3"

Operation + Spec:

Operating temperature:
-10 C to 50 C
Noise: S/N 50 db
24V DC-Camera
30-100V DC-Lights

Underwater Rated
Underwater rated connectors
Fully recessed air purge valve
for leak testing

Lighting System

White LED lighting in head and forward
forks last 10,000 hours or longer and are
smaller and more shock resistant than
conventional light bulb

3 lux at F1.2-3200 degree K

Connection in rear for extra lighting
(avoids Y connector)

Camera

Min 460 lines, EIA standard,
NTSC color (PAL available)

Automatic iris
with manual override

Pans beyond 90 deg.
to look backwards

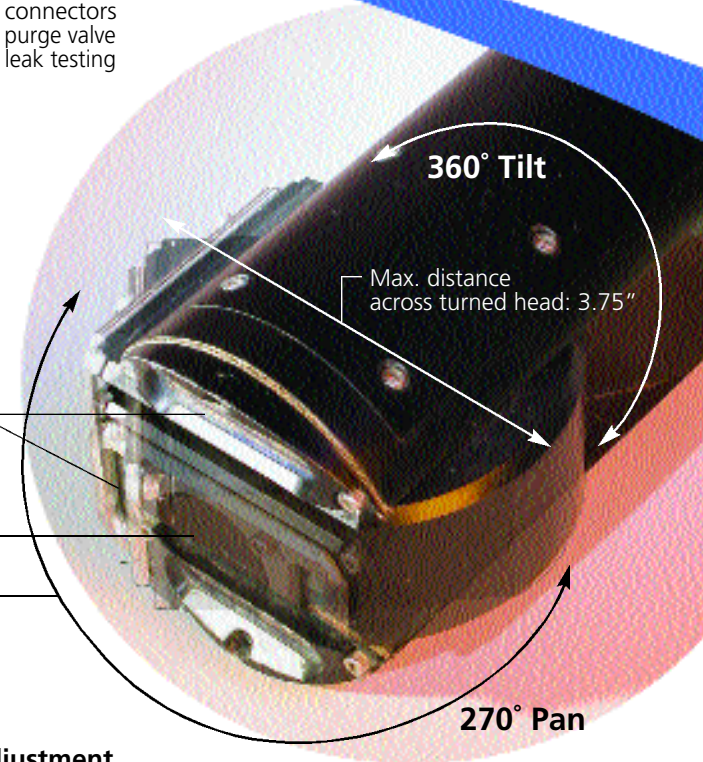
Two-speed pan for
precise positioning

Manual Adjustment

Slip clutches allow camera head to be
tilted and panned manually without
damage

Joystick

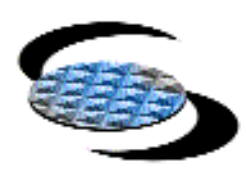
Joystick provides simultaneous control
over pan and tilt 360-degree rotation



Compatibility

Compatible with multiconductor systems,
standard skids and transporters for 3" cameras

Industry standard 5 pin connector; others
by special order



SEWER DEPOT INC.

1081 Meyerside Drive, Units 1&2
Mississauga, Ontario
L5T 1M4

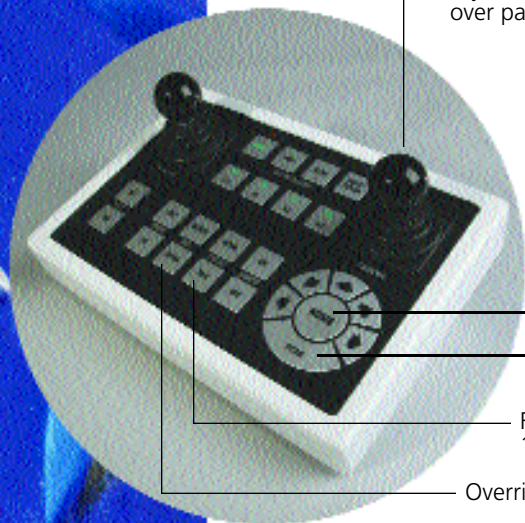
Toll Free (877) 730-7010

Tel (905) 795-7913

Fax (905) 795-7905

www.sewerdepot.com

sales@sewerdepot.com



Return camera to home position

Automatic joint scan

Remote focus control:
1/2" to infinity

Override control for manually setting iris